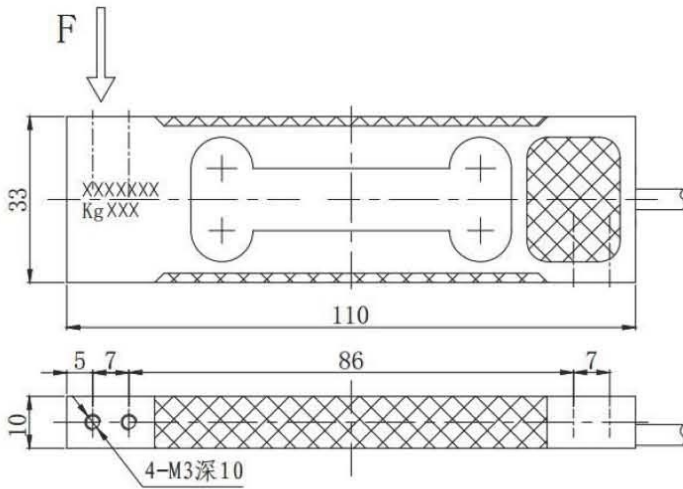
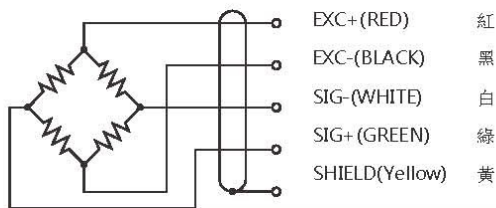


產品尺寸 Product Size

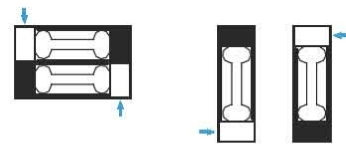


量程/Capacity(KG)	材料/Material
0.3/0.6/1/3/6	鋁合金 Aluminium alloy

接線方式 Schematic



受力方式 Force direction



特點及用途 Features & Applications

- 精度高，抗偏載能力強
- 優質鋁合金材質
- 安裝簡便、快速
- 表面電解防腐處理
- 適用於有限空間的自動化設備和小型設備的力值檢測與控制適用於大量程高精度的計量檢測
- High accuracy, high side load tolerance
- High quality aluminum alloy material
- Easy to install, fast
- Surface electrolytic corrosion protection
- Suitable for limited space automation equipment force detection and control of small devices Suitable for large range and high precision measurement

技術參數 Specification

額定輸出 Rated Output	1.0~2.0±0.2mV/V	溫度補償範圍 Compensated Temp.range	-5°C to +40°C
綜合精度 Total Accuracy	≤0.05% of rated output	工作溫度範圍 Operating Temp.range	-5°C to +40°C
推薦激勵電壓 Rated Excitation	5V DC/AC	零點溫度漂移 Temp.Shift Zero	≤0.02% of rated output/°C
最大激勵電壓 Maximum Excitation	8V DC/AC	靈敏度溫度漂移 Temp.Shift Span	≤0.02% of rated output/°C
零點輸出 Zero Balance	±0.5% of rated output	輸入阻值 Input Resistance	405Ω±20Ω
非線性 Nonlinearity	±0.02% of rated output	輸出阻值 Output Resistance	350Ω±10Ω
滯後 Hysteresis	±0.02% of rated output	絕緣阻值 Insulation Resistance	≥5000MΩ(100V DC)
重複性 Repeatability	±0.02% of rated output	防護等級 Ingress Protection	Ip65
蠕變(30分鐘) Creep(30min)	±0.02% of rated output	彈性體材料 Elastomer Material	鋁合金 Aluminium alloy
安全超載 Safe Overload	120%	電纜線規格 Cable Specification	Φ3*45mm四芯帶遮罩電纜/Four-core shielded cable
極限超載 Ultimate Overload	150%	電纜線顏色 Cable Color	紅Red(E+) 黑Black(E-) 綠Green(S+) 白White(S-)

產品資訊僅供參考，如有更改恕不另行通知，請以實際資訊為準。 Product information is for reference only, subject to change without notice, the actual information shall prevail.