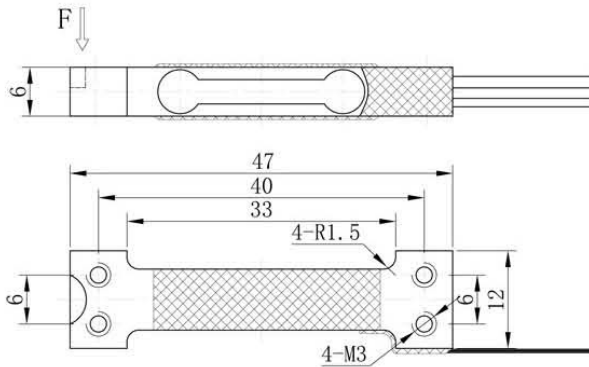
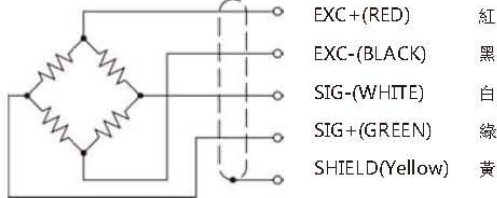


產品尺寸 Product Size

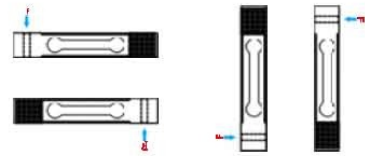


量程/Capacity(KG)	材料/Material
0.1/0.3/0.5/0.75/1/1.5/2/3	鋁合金 Aluminium alloy

接線方式 Schematic



受力方式 Force direction



特點及用途 Features & Applications

- 精度高，抗備載能力強
- 優質鋁合金材質
- 安裝簡便、快速
- 表面電解防腐處理
- 適用於有限空間的自動化設備和小型設備的力值檢測與控制
- 適用於大量程高精度的計量檢測
- High accuracy, high side load tolerance
- High quality aluminum alloy material
- Easy to install, fast
- Surface electrolytic corrosion protection
- Suitable for limited space automation equipment
- Force detection and control of small devices
- Suitable for large range and high precision measurement

額定輸出 Rated Output	0.6-1.0±0.2mV/V	溫度補償範圍 Compensated Temp.range	-5°C to +40°C
綜合精度 Total Accuracy	≤0.02% of rated output	工作溫度範圍 Operating Temp.range	-5°C to +40°C
推薦激勵電壓 Rated Excitation	3-5V DC/AC	零點溫度漂移 Temp.Shift Zero	≤0.05% of rated output/°C
最大激勵電壓 Maximum Excitation	8V DC/AC	靈敏度溫度漂移 Temp.Shift Span	≤0.05% of rated output/°C
零點輸出 Zero Balance	±0.1mV/V	輸入阻值 Input Resistance	1100Ω±30Ω
非線性 Nonlinearity	±0.05% of rated output	輸出阻值 Output Resistance	1000Ω±20Ω
滯後 Hysteresis	±0.05% of rated output	絕緣阻值 Insulation Resistance	≥5000MΩ(100V DC)
重複性 Repeatability	±0.05% of rated output	防護等級 Ingress Protection	Ip65
蠕變(30分鐘) Creep(30min)	±0.05% of rated output	彈性體材料 Elastomer Material	鋁合金 Aluminium alloy
安全超載 Safe Overload	120%	電纜線規格 Cable Specification	UL32AWG-120mm
極限超載 Ultimate Overload	150%	電纜線顏色 Cable Color	紅 Red(E+) 黑 Black(E-) 綠 Green(S+) 白 White(S-)

產品資訊僅供參考，如有更改恕不另行通知，請以實際資訊為準。 Product information is for reference only, subject to change without notice, the actual information shall prevail.